

/DOLOMIA Stone



4 DOLOMIA STONE



b

b/ GREY LCR - 61x122,2 cm/24"x48"

c/ floor: WHITE R - 122,2x122,2 cm/48"x48"
furniture: GREY R - 61x122,2 cm/24"x48"



c



DOLOMIA Stone ⁷

d-e/ WHITE, ALMOND LCR - 61x122,2 cm/24"x48"



8 DOLOMIA STONE



f/ floor: WHITE R - 122,2x122,2 cm/48"x48"
wall: ALMOND mosaico monocolor 30x30 cm /12"x12"
furniture: GREY R - 61x122,2 cm/24"x48"

g/ ALMOND R - 61x122,2 cm/24"x48", 90x90 cm/36"x36"



9

WHITE

GREY

DESIGN
SUR-
FACES

ALMOND

DOLOMIA STONE 11

WHITE

| | | |
|------|---------------------------------|------|
| O1G4 | 122,2x122,2 cm 48"x48" - R | A230 |
| O3M5 | 122,2x122,2 cm 48"x48" - LCR | B231 |
| O1G0 | 90x90 cm 36"x36" - R | A220 |
| O6R8 | 90x90 cm 36"x36" - LCR | A227 |
| O8F4 | 61x122,2 cm 24"x48" - R | A180 |
| O8F8 | 61x122,2 cm 24"x48" - OUTDOOR R | A182 |
| O4M0 | 61x122,2 cm 24"x48" - LCR | B183 |
| O8F0 | 61x61 cm 24"x24" - R | A192 |
| O8M3 | 61x61 cm 24"x24" - LCR | C199 |
| O7F6 | 30,4x61 cm 12"x24" - R | A110 |

| | | |
|------|----------------------------|------|
| O7M7 | 90x90 cm 36"x36" - FP-E R | A225 |
| O2G4 | 61x122 cm 24"x48" - FP-E R | A184 |
| O2G0 | 61x61 cm 24"x24" - FP-E R | A198 |
| O5J6 | 60x90 cm 24"x36" - FP-E R | A179 |

GREY

| | | |
|------|---------------------------------|------|
| O1G5 | 122,2x122,2 cm 48"x48" - R | A230 |
| O3M4 | 122,2x122,2 cm 48"x48" - LCR | B231 |
| O1G1 | 90x90 cm 36"x36" - R | A220 |
| O8F5 | 61x122,2 cm 24"x48" - R | A180 |
| O8F9 | 61x122,2 cm 24"x48" - OUTDOOR R | A182 |
| O4M2 | 61x122,2 cm 24"x48" - LCR | B183 |
| O8F1 | 61x61 cm 24"x24" - R | A192 |
| O8M4 | 61x61 cm 24"x24" - LCR | C199 |
| O7F7 | 30,4x61 cm 12"x24" - R | A110 |

| | | |
|------|----------------------------|------|
| O7M8 | 90x90 cm 36"x36" - FP-E R | A225 |
| O2G5 | 61x122 cm 24"x48" - FP-E R | A184 |
| O2G1 | 61x61 cm 24"x24" - FP-E R | A198 |
| O5J7 | 60x90 cm 24"x36" - FP-E R | A179 |

ALMOND

| | | |
|------|---------------------------------|------|
| O1G7 | 122,2x122,2 cm 48"x48" - R | A230 |
| O3M3 | 122,2x122,2 cm 48"x48" - LCR | B231 |
| O1G3 | 90x90 cm 36"x36" - R | A220 |
| O6R6 | 90x90 cm 36"x36" - LCR | A227 |
| O8F7 | 61x122,2 cm 24"x48" - R | A180 |
| O9F1 | 61x122,2 cm 24"x48" - OUTDOOR R | A182 |
| O3M1 | 61x122,2 cm 24"x48" - LCR | B183 |
| O8F3 | 61x61 cm 24"x24" - R | A192 |
| O8M5 | 61x61 cm 24"x24" - LCR | C199 |
| O7F9 | 30,4x61 cm 12"x24" - R | A110 |

| | | |
|------|----------------------------|------|
| O7M9 | 90x90 cm 36"x36" - FP-E R | A225 |
| O2G7 | 61x122 cm 24"x48" - FP-E R | A184 |
| O2G3 | 61x61 cm 24"x24" - FP-E R | A198 |
| O5J5 | 60x90 cm 24"x36" - FP-E R | A179 |




ALMOND

Sviluppo grafico / Design development / Développement graphique / Grafische Entwicklung 61x122,2 cm 24"x48" R
(12 grafiche diverse / 12 different design / 12 graphiques différents / 12 verschiedene Grafische)


DOLOMIA STONE

Decorsi / Decors / Décors / Dekors

mosaico monocoloro 36 tessere 5x5 - 30x30 cm 12"x12"  **P71**


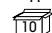

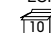

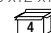




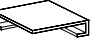


WHITE GREY ALMOND

mosaico esagona monocoloro - 30x30 cm 12"x12"  **P78**



WHITE GREY ALMOND

| Pezzi Speciali / Special Pieces / Pièces Spéciales / Formteile |  battiscopa 6,5x122,2 cm 2 ^{1/2} "x48" R  P05 |  battiscopa 6,5x122,2 cm 2 ^{1/2} "x48" LCR  P05A |  elemento "L" monolitico outdoor 15x30x4 cm 6"x12"x1 ^{3/4} "  P50 |  step 30,4x61 cm 12"x24" R P90 |  gradino costa retta 34x122,2x4 cm 13"x48"x1 ^{3/4} " R P32 |  gradino costa retta 34x61x4 cm 13"x24"x1 ^{3/4} " R P31 |  vista frontale angolare costa retta dx/sx 34x122,2x4 cm 13"x48"x1 ^{3/4} " R P41 |  vista dal retro angolare costa retta dx/sx 34x34x4 cm 13"x13"x1 ^{3/4} " R P40 |
|-------------------------------------------------------------------------|-----------------------------------------------------------------------------------------------------------------------------------------------------------------------------------------------------------------------------------------------------------|--------------------------------------------------------------------------------------------------------------------------------------------------------------------------------------------------------------------------------------------------------------|-------------------------------------------------------------------------------------------------------------------------------------------------------------------------------------------------------------------------------------------------------------------------------|-------------------------------------------------------------------------------------------------------------------------------------------|--------------------------------------------------------------------------------------------------------------------------------------------------------------------------------|-----------------------------------------------------------------------------------------------------------------------------------------------------------------------------|------------------------------------------------------------------------------------------------------------------------------------------------------------------------------------------------------------|----------------------------------------------------------------------------------------------------------------------------------------------------------------------------------------------------------|
| | WHITE | ● | ● | ● | ● | ● | ● | ● |
| GREY | ● | ● | ● | ● | ● | ● | ● | ● |
| ALMOND | ● | ● | ● | ● | ● | ● | ● | ● |

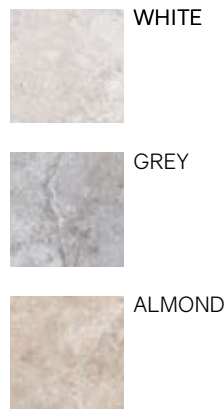
Note / Notes / Notes / Anmerkungen

I battiscopa e gli elementi "L" vengono venduti a pz. e a scatola completa. Tutti gli altri pezzi speciali vengono venduti al pezzo. I gradini vengono prodotti solo su ordinazione (tempo minimo di consegna 20 gg lavorativi).
All skirting and monolithic L elements, priced per piece, are sold in full box. All other special trims are sold by piece. Steps are produced only on request (minimum delivery terms of 20 days).
Les plinthes et élément "L" sont vendues la pièce et par boîte complète. Les autres pièces spéciales sont vendus la pièce. Le plat de marche sont produit sur demande (délai minimum de 20 jours).
Die Sockelleisten und Stufen werden pro Stk. und Vollen Kartons verkauft. Stufen und Stufenecken werden nur auf Bestellung produziert (Lieferzeiten mindesten 20 arbeitstagen ab Auftragserteilung).

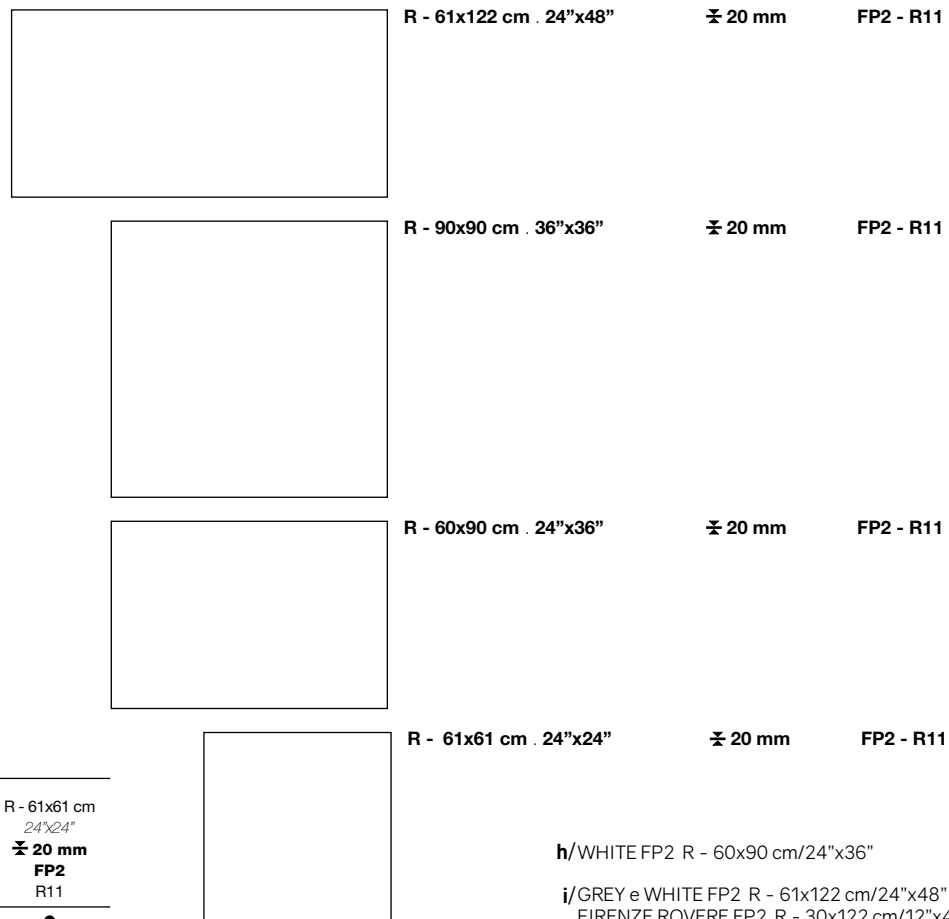
DOLOMIA STONE

effetto pietra / stone-look / effet pierre / steinoptik

Colori / Colours / Couleurs / Farben



Formati / Sizes / Formats / Formate



R: Rettificato / Rectified / Rectified-Textured

| Formati / Sizes / Formats / Formate | R - 61x122 cm 24"x48" ± 20 mm FP2 R11 | R - 90x90 cm 36"x36" ± 20 mm FP2 R11 | R - 60x90 cm 24"x36" ± 20 mm FP2 R11 | R - 61x61 cm 24"x24" ± 20 mm FP2 R11 |
|-------------------------------------|---------------------------------------------------|--------------------------------------------------|--------------------------------------------------|--------------------------------------------------|
| WHITE | ● | ● | ● | ● |
| GREY | ● | ● | ● | ● |
| ALMOND | ● | ● | ● | ● |

h/WHITE FP2 R - 60x90 cm/24"x36"

i/GREY e WHITE FP2 R - 61x122 cm/24"x48"
FIRENZE ROVERE FP2 R - 30x122 cm/12"x48"
furniture: ATHENA ALMOND LR - 121x121 cm/48"x48"

l/ALMOND FP2 R - 60x90 cm/24"x36"



h

i

l

DOLOMIA STONE



| FP2 Pezzi Speciali / Special Pieces / Pièces Spéciales / Formteile | elemento "L" 61x122x5 cm 24"x48" x2" R | | | angolare elemento "L" SX/DX 61x61x5 cm 24"x24" x2" R | | |
|--------------------------------------------------------------------------------|-------------------------------------------------|-------|------|------------------------------------------------------------------|-------|------|
| | P102A | P102B | P100 | P105A | P105B | P103 |
| WHITE | ● | ● | ● | ● | ● | ● |
| GREY | ● | ● | ● | ● | ● | ● |
| ALMOND | ● | ● | ● | ● | ● | ● |

| griglia 20x61 cm 8"x24" R abbinata al 61x122 cm combined with the 24"x48" | griglia 20x90 cm 8"x36" R | | griglia 20x61 cm 8"x24" R abbinata al 61x61 cm combined with the 24"x24" | | angolo SX griglia angolo 20x61 cm 8"x24" R abbinata al 61x122 cm combined with the 24"x48" | | angolo DX griglia angolo 20x90 cm 8"x36" R | | griglia angolo 20x61 cm 8"x24" R abbinata al 61x61 cm combined with the 24"x24" | |
|------------------------------------------------------------------------------------------|------------------------------------|-------|-----------------------------------------------------------------------------------------|--------------|--------------------------------------------------------------------------------------------------------------|-------------|--------------------------------------------------------|--|------------------------------------------------------------------------------------------------|--|
| | P106D | P106C | P106A | P109B COPPIA | P108 COPPIA | P107 COPPIA | | | | |
| WHITE | ● | ● | ● | ● | ● | ● | | | | |
| GREY | ● | ● | ● | ● | ● | ● | | | | |
| ALMOND | ● | ● | ● | ● | ● | ● | | | | |

| round lineare 30x122 cm 12"x48" R | round lineare 30x90 cm 12"x36" R | | round lineare 30x61 cm 12"x24" R | | angolo SX round angolare 30x122 cm 12"x48" R | | | angolo DX round angolare 30x90 cm 12"x36" R | | | angolo SX angolo bordo toro 30x122 cm 12"x48" R | | | angolo DX angolo bordo toro 30x90 cm 12"x36" R | | | angolo bordo toro 30x61 cm 12"x24" R | | |
|--------------------------------------------|-------------------------------------------|-------|-------------------------------------------|--------------|----------------------------------------------------------|--------------|------|---------------------------------------------------------|------|---|-------------------------------------------------------------|---|---|------------------------------------------------------------|---|---|-----------------------------------------------|---|--|
| | P112A | P112B | P110 | P113C COPPIA | P113D COPPIA | P113A COPPIA | P117 | P118 | P114 | | | | | | | | | | |
| WHITE | ● | ● | ● | ● | ● | ● | ● | ● | ● | ● | ● | ● | ● | ● | ● | ● | ● | ● | |
| GREY | ● | ● | ● | ● | ● | ● | ● | ● | ● | ● | ● | ● | ● | ● | ● | ● | ● | ● | |
| ALMOND | ● | ● | ● | ● | ● | ● | ● | ● | ● | ● | ● | ● | ● | ● | ● | ● | ● | ● | |

Note - Notes - Notes - Anmerkungen
I pezzi speciali FP2 vengono venduti al pezzo e solo su ordinazione (tempo minimo di consegna 20 gg lavorativi dall'ordine).

The special pieces FP2 are sold by piece and only on request (minimum delivery time 20 working days from date of order).

Les pièces spéciales FP2 sont vendus à la pièce et uniquement sur commande (délai minimum de livraison 20 jours ouvrés à partir de la commande).

Spezial Teile FP2 sind pro Stück verkauft und nur auf Bestellungen produziert. (Lieferzeiten mindesten 20 arbeitstage ab Auftragbestätigung)

DOLOMIA STONE VEIN CUT

La produzione in due soluzioni, "cross cut" e "vein cut", le superfici naturali e lappati in cresta la rendono adatta ad essere utilizzata in qualsiasi contesto rendendo gli ambienti unici ed eleganti.

Available in two solutions, either "cross cut" or "vein cut", the natural and honed surfaces make this series perfect for use in any space, creating unique and elegant settings.

Deux solutions sont disponibles: "cross cut" et "vein cut". Les surfaces naturelles et polies leur permettent de s'adapter à tous les environnements et de rendre les pièces uniques et élégantes.

m/ WHITE VEIN CUT R - 61x122,2 cm/24"x48"

Die natürlichen und geschliffenen Oberflächen, die in zwei Varianten, "cross cut" und "vein cut", hergestellt werden, lassen sich in jedem Ambiente einsetzen und machen die Umgebung einzigartig und elegant.



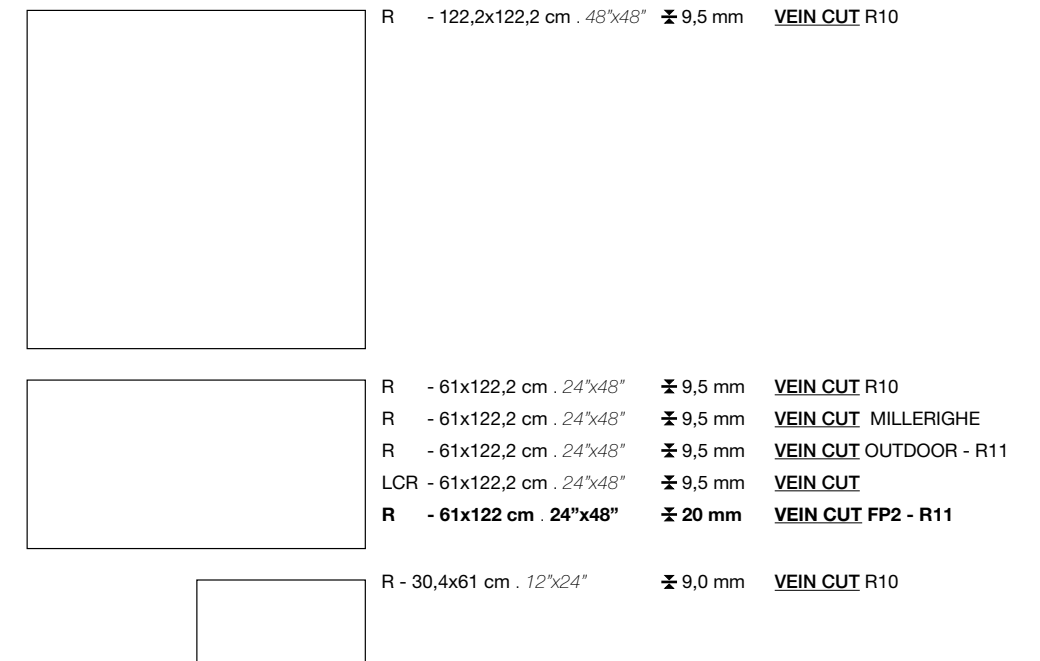
DOLOMIA STONE VEIN CUT

effetto pietra / stone-look / effet pierre / steinoptik

Colori / Colours / Couleurs / Farben



Formati / Sizes / Formats / Formate



R: Rettificato / Rectified

LCR: Lappato in cresta e rettificato / Semi-polished and rectified

| Formati / Sizes / Formats / Formate | R - 122,2x122,2 cm 48"x48" ± 9,5 mm | R - 61x122,2 cm 24"x48" ± 9,5 mm | R - 61x122,2 cm 24"x48" ± 9,5 mm MILLERIGHE | R - 61x122,2 cm 24"x48" ± 9,5 mm OUTDOOR R11 | LCR - 61x122,2 cm 24"x48" ± 9,5 mm | R - 30,4x61 cm 12"x24" ± 9,0 mm | R - 61x122 cm 24"x48" ± 20 mm FP2 R11 |
|-------------------------------------|-------------------------------------------|----------------------------------------|------------------------------------------------------|----------------------------------------------------------|------------------------------------------|---------------------------------------|---------------------------------------------------|
| WHITE VEIN CUT | ● | ● | ● | ● | ● | ● | ● |
| GREY VEIN CUT | ● | ● | ● | ● | ● | ● | ● |
| ALMOND VEIN CUT | ● | ● | ● | ● | ● | ● | ● |

18 DOLOMIA STONE VEIN CUT



n/ GREY VEIN CUT R - 61x122,2 cm/24"x48"

o/ GREY VEIN CUT LCR - 61x122,2 cm24"x48"





p



q

p/ floor: ALMOND VEIN CUT LCR - 61x122,2 cm/24"x48"
 wall: WHITE VEIN CUT LCR - 61x122,2 cm/24"x48"

q/ ALMOND VEIN CUT R - 61x122,2 cm/24"x48"

r/ wall: WHITE VEIN CUT MILLERIGHE R - 61x122,2 cm/24"x48"
 floor: WHITE VEIN CUT mosaico monocolore 36 tessere 5x5 - 30x30 cm 12"x12"

DOLOMIA STONE VEIN CUT



r

DESIGN SURFACES



WHITE - VEIN CUT

WHITE - VEIN CUT MILLERIGHE

GREY - VEIN CUT

GREY - VEIN CUT MILLERIGHE

ALMOND - VEIN CUT

ALMOND - VEIN CUT MILLERIGHE

DOLOMIA STONE VEIN CUT

WHITE - VEIN CUT

| | | |
|------|---------------------------------------|------|
| P4F3 | 122,2x122,2 cm 48"x48" - R | A230 |
| O5J8 | 61x122,2 cm 24"x48" - R | A180 |
| O6J3 | 61x122,2 cm 24"x48" - OUTDOOR R | A182 |
| O4M3 | 61x122,2 cm 24"x48" - LCR | B183 |
| O6J5 | 30,4x61 cm 12"x24" - R | A110 |
| O5U9 | 61x122 cm 24"x48" - FP-2 R | A184 |



GREY - VEIN CUT

| | | |
|------|---------------------------------|------|
| O5J9 | 61x122,2 cm 24"x48" - R | A180 |
| O6J2 | 61x122,2 cm 24"x48" - OUTDOOR R | A182 |
| O4M4 | 61x122,2 cm 24"x48" - LCR | B183 |
| O6J6 | 30,4x61 cm 12"x24" - R | A110 |



ALMOND - VEIN CUT

| | | |
|------|---------------------------------------|------|
| P4F4 | 122,2x122,2 cm 48"x48" - R | A230 |
| O6J0 | 61x122,2 cm 24"x48" - R | A180 |
| O6J1 | 61x122,2 cm 24"x48" - OUTDOOR R | A182 |
| O4M2 | 61x122,2 cm 24"x48" - LCR | B183 |
| O6J4 | 30,4x61 cm 12"x24" - R | A110 |
| O5U8 | 61x122 cm 24"x48" - FP-2 R | A184 |



WHITE - VEIN CUT MILLERIGHE

| | | |
|------|------------------------------------|-------|
| P1F6 | 61x122,2 cm 24"x48" - MILLERIGHE R | A180A |
|------|------------------------------------|-------|



GREY - VEIN CUT MILLERIGHE

| | | |
|------|------------------------------------|-------|
| P1F7 | 61x122,2 cm 24"x48" - MILLERIGHE R | A180A |
|------|------------------------------------|-------|



ALMOND - VEIN CUT MILLERIGHE

| | | |
|------|------------------------------------|-------|
| P1F8 | 61x122,2 cm 24"x48" - MILLERIGHE R | A180A |
|------|------------------------------------|-------|






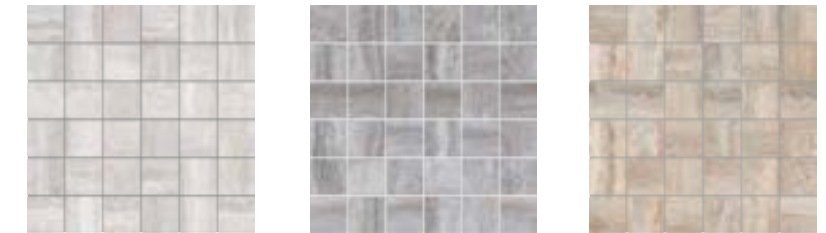
ALMOND
VEIN CUT

Sviluppo grafico / Design development / Développement graphique / Grafische Entwicklung vein cut 61x122,2 cm 24"x48" R
(12 grafiche diverse / 12 different design / 12 graphiques différents / 12 verschiedene Grafische)

DOLOMIA STONE VEIN CUT

Decorsi / Decors / Décors / Dekors


mosaico monocoloro 36 tessere 5x5 - 30x30 cm 12"x12"  **P71**



WHITE VEIN CUT

GREY VEIN CUT

ALMOND VEIN CUT






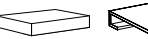
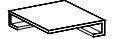
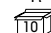


mosaico patchwork monocoloro - 30x30 cm 12"x12"  **P80**



WHITE VEIN CUT

GREY VEIN CUT

ALMOND VEIN CUT

| Pezzi Speciali / Special Pieces / Pièces Spéciales / Formteile |  |  |  |  |  |  |  |
|-------------------------------------------------------------------------|------------------------------------------------------------------------------------------------------------------------------------------------------------------|---------------------------------------------------------------------------------------------------------------------------------------------------------------------|-----------------------------------------------------------------------------------------------------------------------------------------------------------------------------------|---------------------------------------------------------------------------------------|---------------------------------------------------------------------------------------|----------------------------------------------------------------------------------------------------------------|---------------------------------------------------------------------------------------|
| | battiscopa 6,5x122,2 cm 2 ^{1/2} "x48" R  P05 | battiscopa 6,5x122,2 cm 2 ^{1/2} "x48" LCR  P05A | elemento "L" monolitico outdoor 15x30x4 cm 6"x12"x1 ^{3/4} "  P50 | step 30,4x61 cm 12"x24" R P90 | gradino costa retta 34x122,2x4 cm 13"x48"x1 ^{3/4} " R P32 | vista frontale angolare costa retta dx/sx 34x122,2x4 cm 13"x48"x1 ^{3/4} " R P41 | |
| WHITE VEIN CUT | • | • | • | • | • | • | • |
| GREY VEIN CUT | • | • | • | • | • | • | • |
| ALMOND VEIN CUT | • | • | • | • | • | • | • |

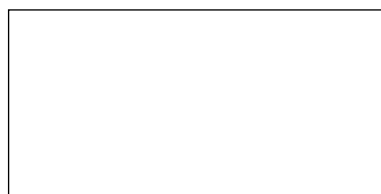
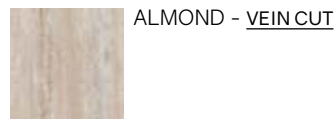
Note / Notes / Notes / Anmerkungen
I battiscopa e gli elementi "L" vengono venduti a pz. e a scatola completa. Tutti gli altri pezzi speciali vengono venduti al pezzo. I gradini vengono prodotti solo su ordinazione (tempo minimo di consegna 20 gg lavorativi).
All skirting and monolithic L elements, priced per piece, are sold in full box. All other special trims are sold by piece. Steps are produced only on request (minimum delivery terms of 20 days).
Les plinthes et élément "L" sont vendues la pièce et par boîte complète. Les autres pièces spéciales sont vendus la pièce. Le plat de marche sont produit sur demande (délai minimum de 20 jours).
Die Sockelleisten und Stufen werden pro Stk. und Vollen Kartons verkauft. Stufen und Stufenecken werden nur auf Bestellung produziert (Lieferzeiten mindesten 20 arbeitstagen ab Auftragserteilung).

DOLOMIA STONE VEIN CUT

effetto pietra / stone-look / effet pierre / steinoptik

Colori / Colours / Couleurs / Farben

Formati / Sizes / Formats / Formate



R - 61x122 cm . 24"x48" ± 20 mm FP2 - R11

R: Rettificat / Rectified

| | |
|-------------------------------------|---------------------------------------------------|
| Formati / Sizes / Formats / Formate | R - 61x122 cm 24"x48" ± 20 mm FP2 R11 |
| WHITE VEIN CUT | ● |
| ALMOND VEIN CUT | ● |



s/ALMOND VEIN CUT FP2 R - 61x122 cm/24"x48"

DOLOMIA STONE VEIN CUT

WHITE - VEIN CUT

O5U9 61x122 cm 24"x48" - FP2 - R A184



ALMOND - VEIN CUT

O5U8 61x122 cm 24"x48" - FP2 - R A184




| | | | | |
|---------------------------------------------------------------------------------------|-------------------------------------------------|-----------------------------------------------------------------------|--------------------------------------------------------------------------|---------------------------------------------------------------------|
| FP2 Pezzi Speciali / Special Pieces / Pièces Spéciales / Formteile | | | | |
| | elemento "L" 61x122x5 cm 24"x48" x2" R | angolare elemento "L" SX/DX 61x61x5 cm 24"x24" x2" R | griglia 20x61 cm 8"x24" R | angolo SX angolo DX griglia angolo 20x61 cm 8"x24" R |
| | P102A | P105A | P106D | P109B COPPIA |
| WHITE VEIN CUT | ● | ● | ● | ● |
| ALMOND VEIN CUT | ● | ● | ● | ● |
| | | | | |
| | round lineare 30x122 cm 12"x48" R | angolo SX angolo DX round angolare 30x122 cm 12"x48" R | angolo SX angolo DX angolo bordo toro 30x122 cm 12"x48" R | |
| | P112A | P113C COPPIA | P117 | |
| WHITE VEIN CUT | ● | ● | ● | |
| ALMOND VEIN CUT | ● | ● | ● | |

Note - Notes - Notes - Anmerkungen
 I pezzi speciali FP2 vengono venduti al pezzo e solo su ordinazione (tempo minimo di consegna 20 gg lavorativi dall'ordine).
 The special pieces FP2 are sold by piece and only on request (minimum delivery time 20 working days from date of order).
 Les pièces spéciales FP2 sont vendus à la pièce et uniquement sur commande (délai minimum de livraison 20 jours ouvrés à partir de la commande).
 Spezial Teile FP2 sind pro Stück verkauft und nur auf Bestellungen produziert. (Lieferzeiten mindesten 20 arbeitstage ab Auftragbestätigung)

TABELLA PESI ED IMBALLI

Sizes weight and packaging / Mesures poids et emballages / Tabelle der Gewichte und Verpackungen

| formati / sizes / tailles / formate / |  | pz. x box | mq. x box | box x pal. | mq. x pal. | kg. x mq | kg. x box | kg. x pal. |  |
|-----------------------------------------------------------------------------------------------------------------------|-----------------------------------------------------------------------------------|--------------|--------------|---------------|---------------|-------------|--------------|---------------|-------------------------------------------------------------------------------------|
| RETTIFICATI / RECTIFIED (R) | | | | | | | | | |
| 122,2x122,2 cm 48"x48" R | 9,5 mm | 2 | 2,99 | 18 | 53,82 | 21,09 | 63,05 | 1175 | 124x143x60 |
| 90x90 cm 36"x36" R | 9,5 mm | 2 | 1,62 | 21 | 34,02 | 19,96 | 32,33 | 700 | 94x107x65 |
| 61x122,2 cm 24"x48" R | 9,5 mm | 2 | 1,49 | 36 | 53,64 | 20,52 | 30,57 | 1120 | 94x120x75 |
| 61x61 cm 24"x24" R | 9 mm | 4 | 1,49 | 30 | 44,70 | 19,80 | 29,50 | 900 | 80x120x75 |
| 30,4x61 cm 12"x24" R | 9 mm | 7 | 1,30 | 40 | 52,00 | 19,83 | 25,77 | 1045 | 80x120x75 |
| LAPPATO IN CRESTA E RETTIFICATO / SEMI-POLISHED AND RECTIFIED (LCR) | | | | | | | | | |
| 122,2x122,2 cm 48"x48" LCR | 9,5 mm | 2 | 2,99 | 18 | 53,82 | 21,09 | 63,05 | 1175 | 124x143x60 |
| 61x122,2 cm 24"x48" LCR | 9,5 mm | 2 | 1,49 | 36 | 53,64 | 20,52 | 30,57 | 1120 | 94x120x75 |
| SPESSORATI / EXTRA THICK (R)  | | | | | | | | | |
| 90x90 cm 36"x36" R | 20 mm | 1 | 0,81 | 21 | 17,01 | 42,45 | 34,38 | 750 | 94x107x65 |
| 61x122 cm 24"x48" R | 20 mm | 1 | 0,74 | 36 | 26,64 | 44,00 | 32,56 | 1190 | 94x120x75 |
| 61x61 cm 24"x24" R | 20 mm | 2 | 0,74 | 30 | 22,20 | 44,05 | 32,59 | 990 | 80x120x75 |
| 60x90 cm 24"x36" R | 20 mm | 1 | 0,54 | 45 | 24,30 | 43,50 | 23,50 | 1075 | 94x120x75 |
| pezzi speciali / special pieces / pièces spéciales / fornteile / | | | | | | | | | |
| 6,5x122,2 cm 2"x48" battiscopa rettificato | | 10 | | | | | 12,50 | | |
| 6,5x122,2 cm 2"x48" battiscopa LCR | | 10 | | | | | 12,50 | | |












Note / Notes / Notes / Anmerkungen /

I battiscopa e gli elementi "L" vengono venduti a pz. e a scatola completa. Tutti gli altri pezzi speciali vengono venduti al pezzo. I gradini vengono prodotti solo su ordinazione (tempo minimo di consegna 20 gg lavorativi).
All skirting and monolithic L elements, priced per piece, are sold in full box. All other special trims are sold by piece. Steps are produced only on request (minimum delivery terms of 20 days).
Les plinthes et élément "L" sont vendues la pièce et par boîte complète. Les autres pièces spéciales sont vendus la pièce. Le plat de marche sont produit sur demande (délai minimum de 20 jours).
Die Sockelleisten und Stufen werden pro Stk. und Vollen Kartons verkauft. Stufen und Stufenecken werden nur auf Bestellung produziert (Lieferzeiten mindesten 20 arbeitstagen ab Auftragserteilung).

SIMBOLOGIA CARATTERISTICHE TECNICHE - GRÈS PORCELLANATO /

Symboles technical characteristics - porcelain stoneware / Symboles des caracteristiques techniques - grès cérame / Symbole technischen eigenschaften - feinsteinzeug



| | CARATTERISTICHE TECNICHE TECHNICAL CHARACTERISTICS CARACTÉRISTIQUES TECHNIQUES TECHNISCHE MERKMALE | NORMA DI RIFERIMENTO REFERENCE STANDARD NORME DE REFERENCE PRÜFMETHODE | VALORE RICHIESTO REQUIRED VALUE VALEUR REQUISE SOLLWERT | VALORE MEDIO TUSCANIA AV. TUSCANIA VALUE VALEUR MOYENNE TUSCANIA MITTLERER TUSCANIA-WERT |
|---------------------------------------------------------------------------------------|------------------------------------------------------------------------------------------------------------------------------------------------------------|---------------------------------------------------------------------------------|---------------------------------------------------------------------------------|---------------------------------------------------------------------------------------------------|
|  | DIMENSIONI DIMENSIONS DIMENSIONS ABMESSUNGEN | ISO 10545-2 | CONFORME COMPLIANT CONFORME KONFORM | CONFORME COMPLIANT CONFORME KONFORM |
|  | ASSORBIMENTO D'ACQUA WATER ABSORPTION ABSORPTION D'EAU WASSERAUFNAHME | ISO 10545-3 | ≤ 0,5 % | CONFORME COMPLIANT CONFORME KONFORM |
|  | RESISTENZA A FLESSIONE MODULUS OF RUPTURE RESISTANCE A LA FLEXION BIEGEFESTIGKEIT | ISO 10545-4 | MODULUS OF RUPTURE R ≥35 N/MM ² BREAKING STRENGTH S ≥1300 N | CONFORME COMPLIANT CONFORME KONFORM |
|  | RESISTENZA ALL'ABRASIONE ABRASION RESISTANCE RÉSISTANCE À L'ABRASION ABRIEBBESTÄNDIGKEIT | ISO 10545-7 | PEI SOLO PER PIASTRELLE SMALTATE ONLY FOR GLAZED TILES | |
|  | DILATAZIONE TERMICA LINEARE LINEAR THERMAL EXPANSION DILATATION THERMIQUE LINEAIRE LINEARE WÄRMEAUSDEHNUNG | ISO 10545-8 | ≤ 9x10 ⁻⁵ °C ⁻¹ | CONFORME COMPLIANT CONFORME KONFORM |
|  | RESISTENZA AGLI SBALZI TERMICI THERMAL SHOCK RESISTANCE RESISTANCE AUX ECARTS DE TEMPERATURE ITEMPERATURWECHSELBESTÄNDIGKEIT | ISO 10545-9 | RESISTENTE RESISTANT RESISTANT BESTÄNDIG | RESISTENTE RESISTANT RESISTANT BESTÄNDIG |
|  | RESISTENZA AL GELO FROST RESISTANCE RESISTANCE AU GEL FROSTBESTÄNDIGKEIT | ISO 10545-12 | RESISTENTE RESISTANT RESISTANT BESTÄNDIG | RESISTENTE RESISTANT RESISTANT BESTÄNDIG |
|  | RESISTENZA AGLI ACIDI ED ALLE BASI ACID AND ALKALI RESISTANCE RESISTANCE AUX ACIDES ET AUX BASES SÄURE- UND LAUGENBESTÄNDIGKEIT | ISO 10545-13 | CLASS GB MIN. | LOW CONCENTRATION GLA HIGH CONCENTRATION GHA |
|  | RESISTENZA ALL'ATTACCO CHIMICO CHEMICAL RESISTANCE RESISTANCE À L'ATTAQUE CHEMIQUE CHEMISCHE BESTÄNDIGKEIT | ISO 10545-13 | CLASS GB MIN. | GA |
|  | RESISTENZA ALLE MACCHIE STAIN RESISTANCE RESISTANCE AU TACHES FLECKENBESTÄNDIGKEIT | ISO 10545-14 | CLASS 3 MIN. | 5 |
|  | COEFFICIENTE DI ATTRITO (SCIVOLOSITÀ) FRICTION COEFFICIENT (SLIPPERINESS) COEFFICIENT DE FRICTION (GLISSEMENT) REIBUNGSKOEFFIZIENT (RUTSCHIGKEIT) | BCR - ITALIA DM DEL 14-06-89 | ASTM - USA ASTM C1028 | DIN - GERMANIA DIN 51130 |
| | | DRY RUBBER 0,62 | WET RUBBER 0,51 | DRY LEATHER 0,62 |
| | | | DRY NEOLYTHE 0,69 | WET NEOLYTHE 0,62 |
| | | | | R10 - R11 outdoor/FP2 ZH 1/571 |

THE PRODUCTS HAVING AN ABSORPTION < 0,5% ARE CLASSIFIED ACCORDING THE UNI CEN STANDARDS "FULLY VITRIFIED TILES" AND ACCORDING TO THE ASTM STANDARDS "IMPERVIOUS TILES"

DOLOMIA Stone

Le informazioni contenute nel presente catalogo sono il più possibile esatte, ma non sono da ritenersi vincolanti. Per esigenze di produzione l'Azienda si riserva il diritto di apportare eventuali modifiche che si rendessero necessarie. Peso, colori e misure sono soggetti alle inevitabili variazioni tipiche del processo di cottura della ceramica. I colori e gli effetti riportati sul presente catalogo sono indicativi per i limiti consentiti dalla stampa; per questo non possono essere vincolanti e costituire base per eventuali contestazioni.

The information contained in this catalogue is as accurate as possible, but cannot be considered as legally binding. The Company reserves the right to make any modifications that become necessary due to production requirements. Weight, colours and dimensions are subject to the inevitable variations typical of the ceramic firing process. Colours and aesthetic effects shown on this catalogue should be considered indicative and approximate as a result of printing process limits. Possible variations may occur and can not be at the base of any claim.

Les informations reprises dans ce catalogue sont exactes, mais elles n'engagent aucunement notre Société du point de vue légal. Pour des exigences de production la Société se réserve le droit d'apporter toutes les dimensions sont assujettis aux variations typiques du processus de cuisson de la céramique. Les couleurs et les effets présentés dans ce catalogue sont indicatifs dans la mesure permise par la presse, ce qui explique pourquoi ils ne peuvent pas être obligatoire et constituer la base d'un éventuel désaccord.

Die Informationen des vorliegenden Katalogs sind so exakt wie möglich, sind jedoch nicht als gesetzlich verbindlich zu betrachten. Aus Fertigungsgründen behält die Firma sich das Recht vor, eventuell notwendige Änderungen vorzunehmen. Veränderungen, die für den Brennvorgang von Keramikprodukten typisch sind. Die in diesem Katalog gezeigten Farben und Effekte sind Richtwerte, soweit durch die Presse, die ist, warum sie nicht bindend und stellen die Grundlage für eine Meinungsverschiedenheit gestattet.

Credit:

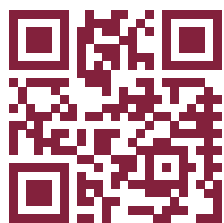
Marketing:
Tuscania

Progetto Grafico:
EUREKA

T
TUSCANIA[®]
ceramiche



/DOLOMIA STONE



tuscaniagres.it

Tuscania S.p.A.

Via Giardini Sud, 4603
41028 Serramazzoni (Mo) - Italia
Tel. +39 0536.952399
Fax +39 0536.954716
info@tuscaniagres.it
www.tuscaniagres.it

